

ISO BOX

Sound Isolating Racks



PRO12, PRO18, PRO24

www.ArgosyConsole.com



ARGOSY
Custom Shop

Some helpful background information:

IsoBox is an insulated sound isolating cabinet used to reduce noise from devices such as computers, hard drives, internal cooling fans, and similar equipment. IsoBox is widely used to lower the noise floor in critical listening environments. Using proprietary technology, IsoBox's thermostatically controlled ventilation system helps keep equipment within operating temperatures by drawing cool air in and expelling warm air through a series of noise capturing baffles. The original IsoBox made its debut in 1998 and quickly became popular with studios that didn't have the luxury of a separate equipment room. Simply put, IsoBox makes your studio quieter so you can make better recordings.



IsoBox PRO is the latest development in IsoBox noise reduction cabinets. After nearly 25 years of development, IsoBox PRO has combined the best features of previous models, IsoBox Studio and IsoBox Post, to create the most advanced IsoBox sound isolation cabinet yet. IsoBox PRO uses a patented microprocessor that regulates fan speed to control the interior temperature. A feature carried forward from the high-end IsoBox Post, IsoBox PRO has two active intake fans that draw cool air in across the equipment face. Two rear fans pull air through equipment evacuating the exhaust out the back at the base.



IsoBox PRO is equipped with (4) four high efficiency, ultra low noise 200mm fans. Two fans draw filtered air in through a floor baffle. Two fans evacuate air out through a noise-reduction plenum located on the back door. The fan speed is controlled by temperature sensors located inside the cabinet.



A digital display is located inside the front door. The display automatically toggles between the temperature of the intake "IN" air and the temperature of the exhaust "OUT" air. It is normal for exhaust air to be 15-20° higher than the intake air. The temperature display can be set to read fahrenheit or celsius. **The ambient room temperature is an important component to the IsoBox functioning as desired. IsoBox operates best in a space that is 72 degrees or cooler.**

PRO12, PRO18, PRO24

All IsoBox PRO models feature rear rails standard at (24") to support four-point mounted equipment. The Front door has adjustable hinges and can be set for Left or Right hand open. The cabinet top has matching wood trim and fingerprint resistant black laminate. IsoBox PRO's back and sides are coated with a durable scratch resistant black texture finish. Optional pull-out vented shelf is available to support CPU units. All models come with casters.



- Scratch resistant textured finish
- Front and back door accessibility
- Digital temperature reading
- Fahrenheit or celsius display
- Plywood construction throughout
- Filtered air intake

- Optional left or right front door swing
- Two (2) three inch (3") rear cable grommets
- External power supply
- Audible alarm for excessive heat loads
- Fingerprint resistant laminate top
- Front and back rack rails - standard



IsoBox PRO has a built-in audible and visual alarm to warn when heat loads are excessive. A removable air intake filter reduces dust particles inside the cabinet while bonded acoustical cotton padding reduces interior noise. IsoBox PRO is available in three sizes: 12, 18 & 24RU. See product dimensions schematic for cabinet depths and equipment clearances.

Finish options:

Argosy custom shop uses solid hardwood to trim and finish IsoBox PRO cabinets. Trim finishes are available in walnut, cherry, oak, or black satin stain on oak. Hardwood will naturally vary in grain and color.



Walnut

Black Texture



Cherry

Black Texture



Black Stain

Black Texture



Oak

Black Texture



- Front door compression latch
- Tempered insulated glass window
- Adjustable hinges on front door
- Solid hardwood door and trim
- 4" rubber swivel casters
- Shipped fully assembled
- Crafted in the U.S.A.



Each IsoBox PRO is rated for a different thermal load. The larger the cabinet, relative to the amount of equipment contained, the more efficient the performance - provided you have enough space for ventilation between units. **It is important to leave at least one (1) RU space between components.**

Thermal load is easy to estimate by the wattage figures on the back of each gear piece you wish to mount in your IsoBox PRO. For example; a Mac Pro with 1.4 kilowatt power supply may run a maximum peak power of 1280W at 108-125V or 220-240V.


Use the chart below to estimate which IsoBox PRO will best suite your needs.

With room temperature being 72° F (22° Celsius) or less, the suggested loads are as follows.

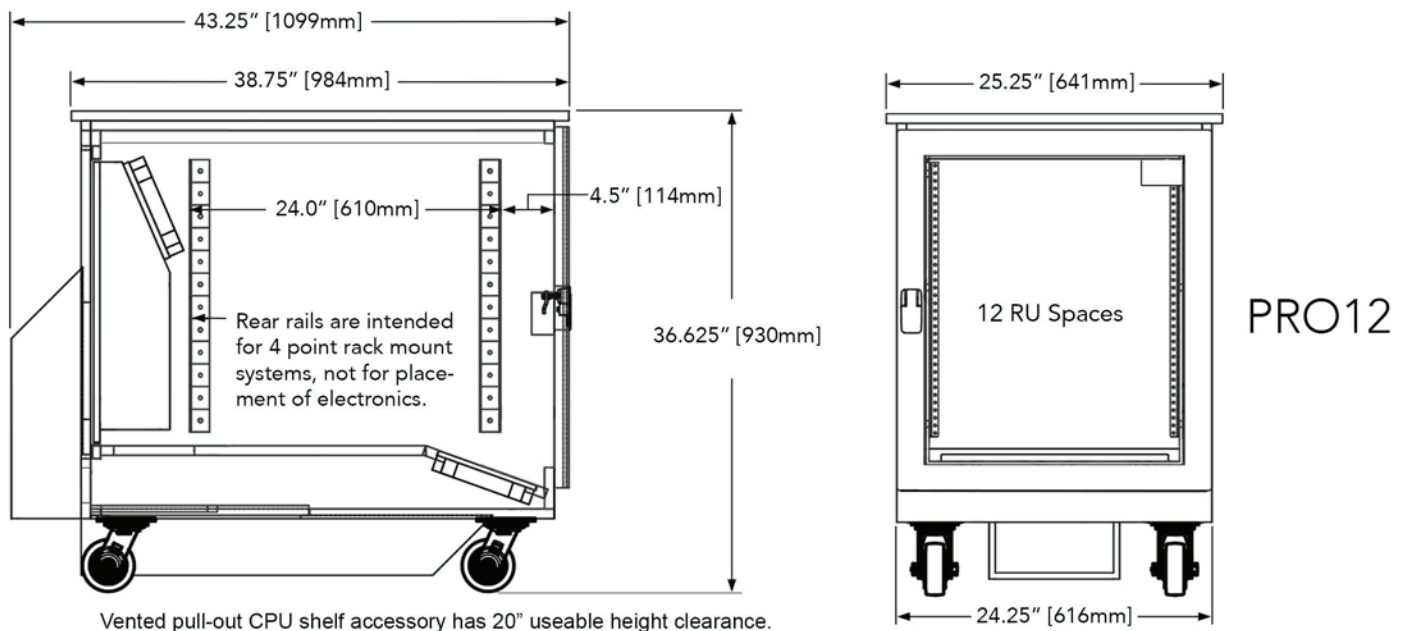
IsoBox PRO

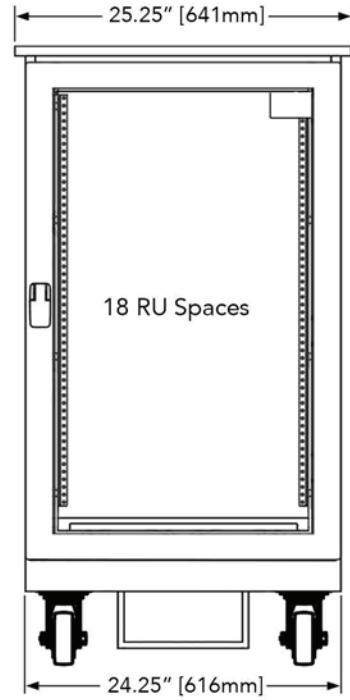
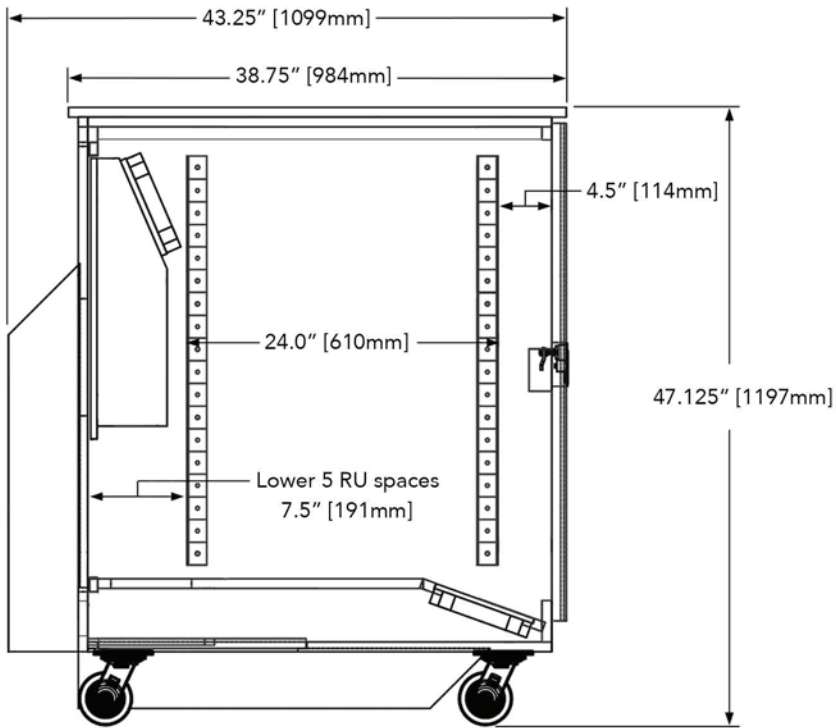
PRO12, (12 space) less than or equal to 1500 watts
PRO18, (18 spaces) less than or equal to 2250 watts
PRO24, (24 space) less than or equal to 3000 watts

Please note that these ARE ONLY GUIDELINES.
Always check the manufacturers specs and leave space between hardware. Argosy Console is not responsible for any damage caused by overheating.

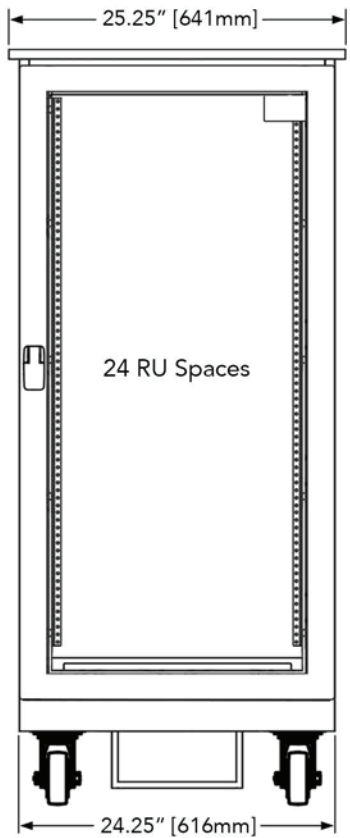
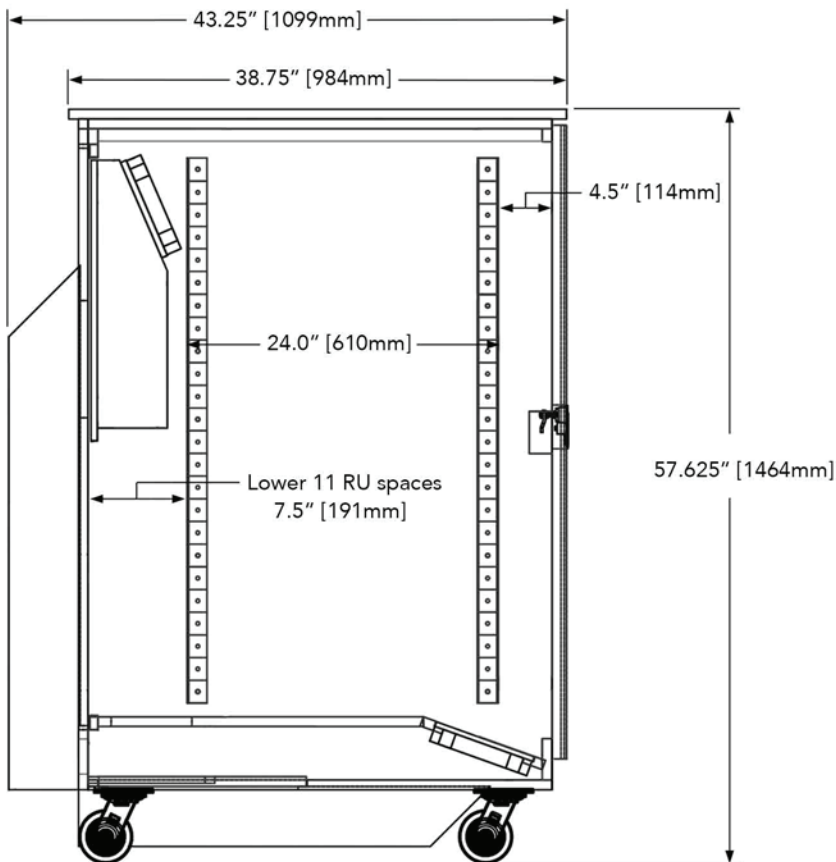


Product dimensions:





PRO18



PRO24

LIMITED WARRANTY

ARGOSY warrants all materials and workmanship to be free of defects for a period of one year from the original date of purchase. If any defects are found in materials or workmanship, ARGOSY, at its option, will repair or replace the product. This warranty does not apply if the product has been damaged in any way by unauthorized modification, abuse, misuse, or accident.

Service or repairs of ARGOSY products are to be performed only by an authorized ARGOSY repair agent or at the ARGOSY factory. Unauthorized service, repair, or modification will void this warranty.

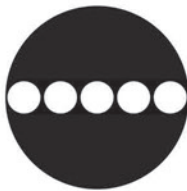
To obtain service:

Call ARGOSY at 800.315.0878. An ARGOSY product specialist will assist you.

If it is determined that a product must be returned to the factory for service or repair, a RETURN AUTHORIZATION will be issued. Return the product in its original packaging, freight prepaid, with the R/A number clearly written on the outside. Products returned without an R/A will be refused. If you do not have the original packaging, you may request packaging materials be sent to you at the time you receive your R/A. There will be a charge for packaging materials plus shipping.

This warranty is in lieu of all other warranties, expressed or implied, including warranties of merchantability and fitness for any purpose. Upon expiration of the one year warranty period, ARGOSY shall have no further obligation of any kind, expressed or implied. ARGOSY, shall under no circumstances be obligated for any incidental or consequential damages that may result from any defect or warranty claim, expressed or implied.

This warranty provides specific legal rights. You may also have other rights which may vary from state to state.



ARGOSY DESIGN GROUP

Argosy Console, Inc. 402 Industrial Park Drive Eldon, Missouri 65026